

APPROVAL

DESCRIPTION : TUN-CAP 40-126P 20 × 20A

NCE PARTS NO. : DE443DB01-A04

PARTS NO. :

DRAWING :

RECEIVED

VENDOR:UNITY SYSTEM.CO.,LTD.

**ADD: 19 Floor,Block west QIUSHI building,zhuzhilinlu,
Shennandadao ,Shenzhen,Guangdong,P.R.China**

TEL:86-755-88316650

FAX:86-755-88316651

[Http://www.nce-newcont.com](http://www.nce-newcont.com)

E-mail:pvc@newcont.com

NCE

POLYVARICON

MODEL: DE443DB01-A04

UNITY SYSTEM. CO., LTD.

**ADD: 19Floor, Block west QIUSHI building, zhuzhilinlu,
Shennandadao, Shenzhen, Guangdong, P.R. China**

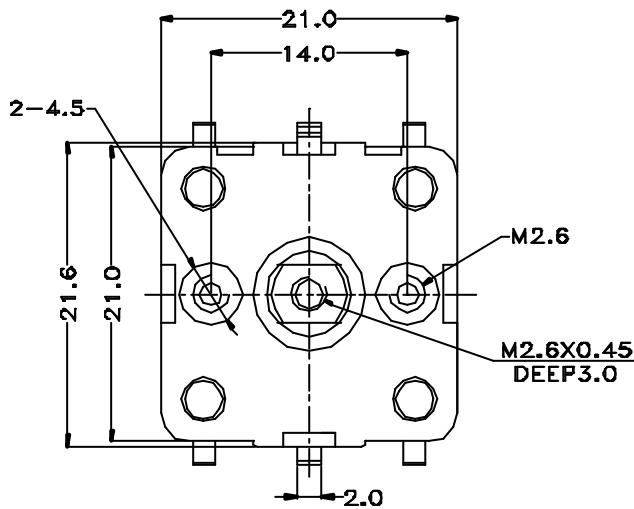
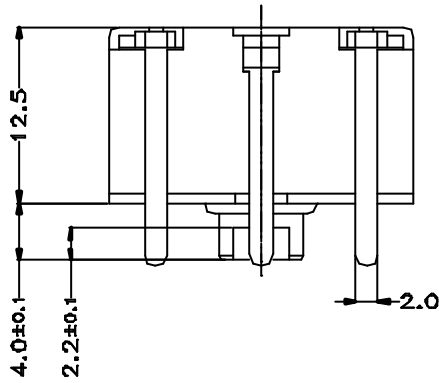
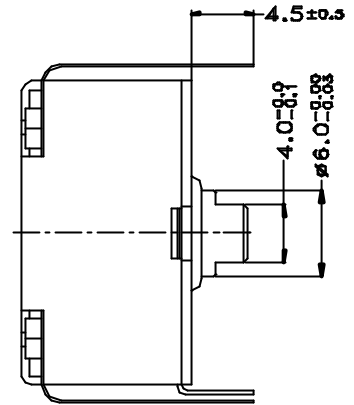
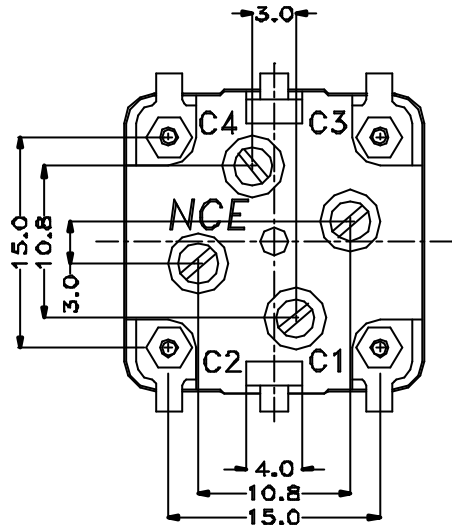
TEL: 86-755-88316650

FAX: 86-755-88316651

[Http://www.nce-newcont.com](http://www.nce-newcont.com)

E-mail: pvc@newcont.com

Outline drawing



- C1: FM OSC**
- C2: FM ANT**
- C3: AM OSC**
- C4: AM ANT**

REVISIONS	APPEARANCE		MODEL
	UNIT: mm	SCALE: 2/1	DE443DB01-A04
	DIMENSION TOLERANCE GENERAL ± 0.3		CODE NUMBER
	DESIGNED BY: WISDOM TIAN		190-01-01
	DRAWN BY: WISDOM TIAN		NCE
	CHECKED BY: WISDOM TIAN		
	APPROVED BY: L.K.ZHANG		

1. Application

This specification is applicable for 4 gangs capacitor , model **DE443DB01-A04** with 2 gangs of equal capacitance on AM section and with 2 gangs of equal capacitance on FM section, for tuned 520-1650kHz and oscillation circuit 455kHz of transistor radio.

2. Electrical Characteristics

2-1. Capacitance

Effective capacitance at each position is shown on Table 1 , defining the rotation angle 180 ° is expressed 100%.

Table 1 Capacitance & Coefficient

A M			F M		
Rotation	OSC / ANT		OSC / ANT		Rotation
(%)	Coef.	Capa.(pF)	Coef.	Capa.(pF)	(%)
*100	100.00	126.00	100.00	40.00	*100
90	86.19	108.60	86.18	34.47	90
*80	71.19	89.70	73.37	29.35	*80
75	63.65	80.20	67.32	26.93	75
70	56.43	71.10	61.48	24.59	70
*60	42.06	53.00	50.42	20.17	*60
50	28.89	36.40	40.12	16.05	50
40	17.62	22.20	30.50	12.20	40
*30	10.24	12.90	21.52	8.61	*30
25	7.54	9.50	17.25	6.90	25
20	5.40	6.80	13.11	5.24	20
*10	2.06	2.60	5.23	2.09	*10
3	0.00	0.00	0.00	0.00	3

2-2. Minimum Capacitance

Minimum Capacitance shown on Table 2 is defined at the end stop, where shaft is rotated full clockwise. But trimmer capacitance is minimum.

Table 2

Section	Minimum Capacitance
AM	C3 : 4.3 ± 1.0pF , C4 : 4.3 ± 1.0pF
FM	C1 : 4.0 ± 1.0pF , C2 : 4.0 ± 1.0pF

2-3. Tolerance of Capacitance

The tolerance of the effective capacitance is shown Table 3

Table 3

Condition	Section	Standard
At the angle of * marking of Table 1	OSC	AM ± (1.5% + 1.5 pF) , FM ± (1.0 % + 1.0 pF)
	ANT	AM ± (1.5% + 1.5 pF) , FM ± (1.0 % + 1.0 pF)

Clause	Item	Condition	Standard
2 - 4	Insulation Resistance	At D.C. 100V	More than 100 M
2 - 5	Voltage Proof	Running D.C. 100V for 1 minute	Not to be found unusually
2 - 6	Q Characteristics	AM	Valued at 10MHz 50pF
		FM	Valued at 100MHz 10pF
2 - 7	Contact Resistance	Valued at the tops of shaft and earth terminals when 1kHz ± 200Hz and 100mA are supplied(Rotation speed 30 times/minute)	Less than 20 m

3. Mechanical Characteristics

Clause	Item	Condition	Standard
3 - 1	Direction of the rotation	Capacitance change when shaft is rotated clockwise	Decreasing
3 - 2	Shaft Rotation	Rotation range is defined 100% for 180 °	97% (+2 to -1%)
3 - 3	Rotation Torque	Torque application when shaft is rotated full at normal temperature condition	50 - 400 gf.cm
3 - 4	Strength of end stop	A specimen is left in the standard test condition for 1 minute after 5 kgf.cm rotations	Not to be found insulate both electrically and mechanically
3 - 5	Ratio of Max. and Min. torque	Max.: Min.	Within 3: 1

4. Trimmer ability

Clause	Item	Condition	Standard
4 - 1	Shaft Rotation	Rotation range	360 °
4 - 2	Rotation Torque	On the whole rotation range. Ratio of Max. and Min. torque	50 – 400 gf-cm Max.: Min. within 3 : 1
4 - 3	Effective Capacitance		More than 7 pF
4 - 4	Q Characteristics	At maximum capacitance and 10 MHz(main capacitance is minimum)	More than 200

5. Materials

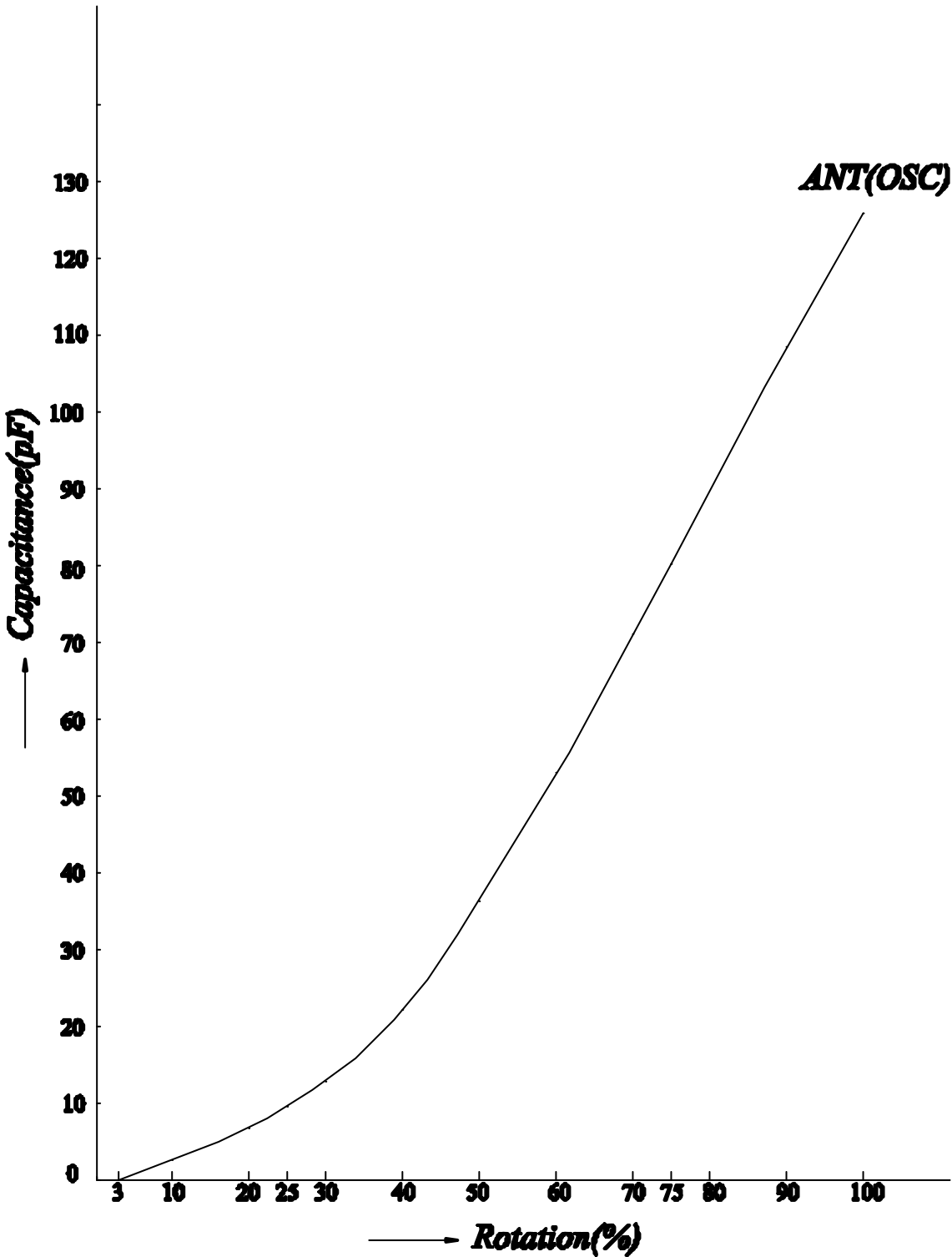
5-1. Body Parts

Component	Materials
Base	Degeneration ABS included glass
Case	Degeneration PP or AS
Rotor Shaft	Brass
Rotor Plate	Aluminum or Brass
Stator Plate	Aluminum - Polyethylene film
Terminal	Iron or Brass - Tin plating

5-2. Trimmer Parts

Component	Materials
Trimmer Base	Degeneration ABS included glass
Trimmer Shaft	Brass or Copper Alloys
Trimmer Rotor Plate	IRON - Nickel plating
Trimmer Stator Plate	IRON - Polypropylene film

AM curve-DD



FM curve-EB

