

# APPROVAL

DESCRIPTION : \_\_\_\_\_

NCE PARTS NO. : PTC02 \_\_\_\_\_

PARTS NO. : \_\_\_\_\_

DRAWING : \_\_\_\_\_

**RECEIVED**

**VENDOR:**UNITY SYSTEM.CO.,LTD.

**ADD:** 19 Floor, Block west QIUSHI building, zhuzhilinlu,  
Shennandadao, Shenzhen,Guangdong,P.R.China

**TEL:**86-755-88316650

**FAX:**86-755-88316651

**[Http://www.newcont.com](http://www.newcont.com)**

**E-mail:**pvc@newcont.com

# *NCE*

**TRIMMER CAPACITORS**

**MODEL: PTC02**

**UNITY SYSTEM. CO., LTD.**

---

**ADD: 19 Floor, Block west QIUSHI building, zhuzhilinlu,  
Shennandadao, Shenzhen,Guangdong,P.R.China**

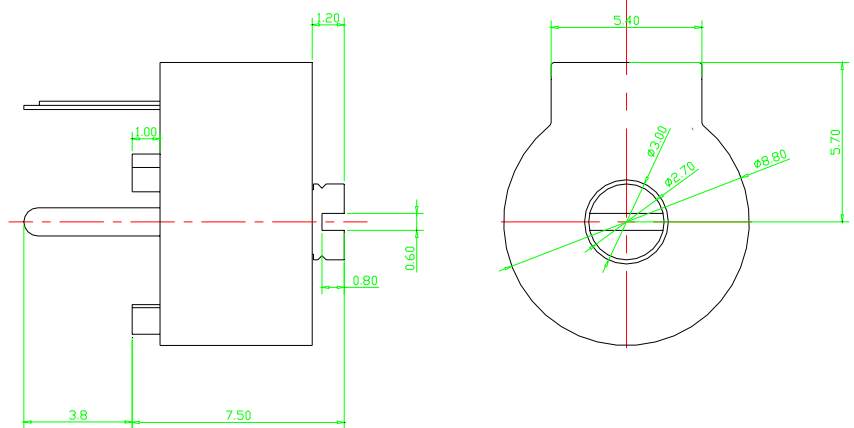
**TEL:86-755-88316650**

**FAX:86-755-88316651**

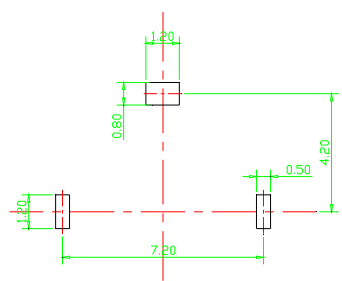
**[Http://www.newcont.com](http://www.newcont.com)**

**E-mail:pvc@newcont.com**

### Outline drawing



### Mounting hole



REVISIONS	APPEARANCE		PART NO
	UNIT: mm	SCALE: 5/1	PTC02
	DIMENSION TOLERANCE GENERAL ± 0.5		COLOR
	DESIGNED BY: YANQINGKUN		<b>NCE</b>
	DRAWN BY: YANQINGKUN		
	CHECKED BY: YANQINGKUN		
	APPROVED BY: X.L.BAO		

**1. Scope**

This specification applies to the film type trimmer capacitor using film as a dielectric.

**2. Main characteristics**

Table 1

Part No.	Capacitance(pF)		Temperature coefficient(ppm/ )	Q factor (1MHz,Cmax)	Base color
	Min	Max			
PTC02-9	4.0 or less	9.0 or more	N100 ± 300	500	Red
PTC02-18	4.0 or less	18.0 or more	N100 ± 300	500	yellow
PTC02-27	4.0 or less	27.0 or more	N100 ± 300	500	Green

**3. Characteristics**

Standard atmospherics conditions:

Unless otherwise specified, the standard range of atmospherics conditions for making measurements and tests are as follows:

- Ambient temperature : 5 to 35 ;
- Relative humidity : 45% to 85% ;
- Air pressure : 86kPa to 106kPa.

If there is any doubt about the results. measurement shall be made within the following limits:

- Ambient temperature : 20 ± 2 ;
- Relative humidity : 60% to 70% ;
- Air pressure : 86kPa to 106kPa.

Operating temperature range:

The operating temperature range is the range of ambient temperature of which the trimmer capacitor can be operated continuously within rated voltage.

-10 to +70

Storage temperature range:

The Storage temperature range is the range of ambient temperature at which the trimmer capacitor can be Stored without damage, conditions are as specified elsewhere in these specification.

-10 to +70

**3-1 Mechanical characteristics:**

	Items	Conditions	Specification
1	Rotational torque	When the spindle is rotated at a rate of 10 rpm	5.0~35.0mNm (50~350gf.cm)
2	Difference between the maximum and minimum value of rotational torque	Difference between the maximum value and the minimum value when the shaft is rotated at a rate of 10 rpm	3 : 1 or less

**3-2 Electrical characteristics:**

	Items	Conditions	Specification
1	Rated voltage		100 V d.c.
2	Nominal capacitance	Maximum capacitance(Measured at 1MHz)	Table 1 shall be satisfied.
		Minimum capacitance(Measured at 1MHz)	Table 1 shall be satisfied.
3	Q	Measured at 1MHz, Cmax	Table 1 shall be satisfied.
4	Insulation resistance	A voltage of 100 V d.c. shall be applied for 1 min, after which measurement shall be made	100 M or more
5	Dielectric strength	100 V d.c. for 1 min	Without damage
6	Solder ability	Bit temperature $350 \pm 5$ , time $3 \pm 0.5s$	(1)solder wetting time shall be 3 s or less. (2)A new uniform coating of solder shall cover a minimum of 95% of the surface being immersed

**4. Marking**

The following items shall be marked indelibly and legibly on the capacitor or on each unit pack.

4-1 Products name.

4-2 Type name or part number.

4-3 Month and year of or production code (including lot No.)

4-4 Manufacturer's name (abbreviated manufacturer's name permitted) or trademark.

4-5 Country of origin, china.

**TRIMMER CAPACITORS**

**NCE**